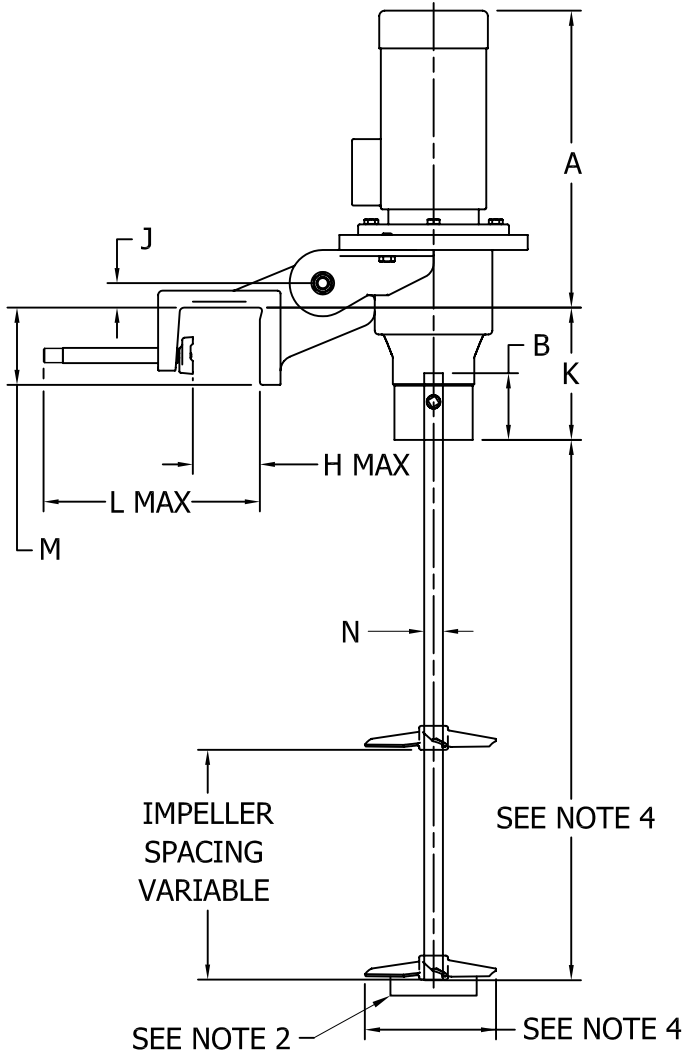
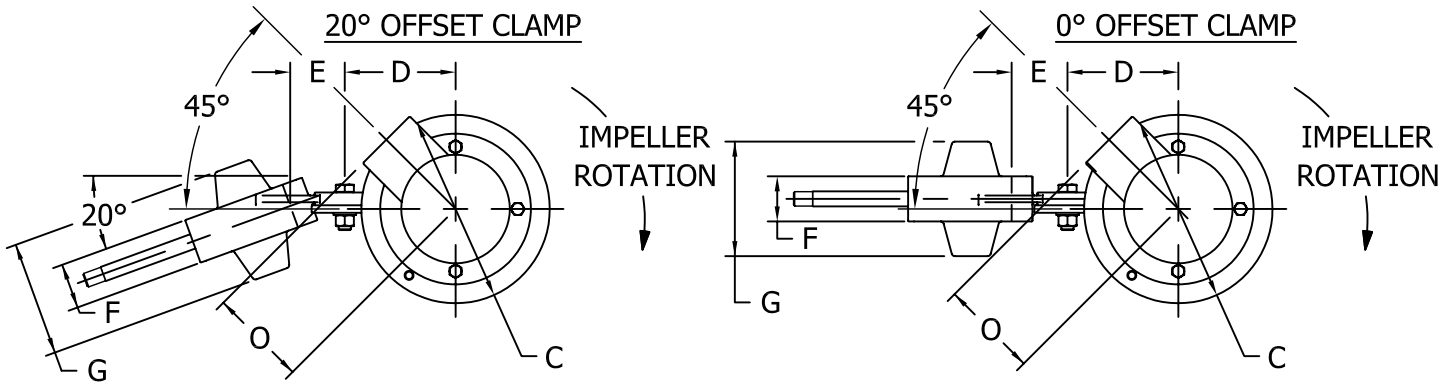


MODEL	MOTOR		WEIGHT (SEE NOTE 3)		mm (inch)																		
					A Max	B	C	D	E		F		G		H	J		K		L	M	N	O
	OFFSET		OFFSET						OFFSET		OFFSET		OFFSET										
	0°	20°	0°	20°					0°	20°	0°	20°	0°	20°		0°	20°						
kW	HP	KG	LBS																				
MS_P1	0.37	0.50	36	80	312 (12.3)	89 (3.5)	200 (7.9)	123 (4.8)	67 (2.6)	73 (2.9)	37 (1.5)	45 (1.8)	111 (4.4)	119 (4.7)	65 (2.6)	28 (1.1)	45 (1.8)	129 (5.1)	113 (4.5)	235 (9.3)	82 (3.2)	20	105 (4.1)
MS_P2	0.55	0.75	65	144																			130 (5.1)
MS_P3	0.75	1.00	67	148																			
MS_P4	1.10	1.50	69	153	411 (16.2)	89 (3.5)	250 (9.8)	147 (5.8)	84 (3.3)	77 (3.0)	46 (1.8)	60 (2.4)	138 (5.4)	152 (6.0)	85 (3.3)	33 (1.3)	49 (1.9)	176 (6.9)	159 (6.3)	260 (10.2)	103 (4.1)	25	135 (5.3)
MS_P5	1.50	2.00	74	164																			
MS_P6	2.20	3.00	96	212																			150 (5.9)



NOTES:

1. DIMENSIONS ARE FOR REFERENCE ONLY UNLESS CERTIFIED.
2. LOWER IMPELLER IS EQUIPPED WITH STABILIZER WHEN REQUIRED.
3. MIXER WEIGHT IS LESS SHAFT AND IMPELLERS.
4. DEPENDENT UPON SPECIFIC APPLICATION.

CERTIFIED BY:

DATE:

ALL EQUIPMENT DESIGN AND APPLICATION DATA SHOWN HEREIN AND RELATED KNOW-HOW ARE CONFIDENTIAL AND PROPRIETARY AND REMAIN THE PROPERTY OF SPX CORPORATION. NO USE OR DISCLOSURE THEREOF MAY BE MADE WITHOUT THE WRITTEN PERMISSION OF SPX CORPORATION



COPYRIGHT ©
2009 SPX
CORPORATION



AN SPX BRAND

DIMENSION DRAWING

NETTCO MODELS

MS1P1 THRU MS1P6

MS5P1 THRU MS5P6

MS6P1 THRU MS6P6

DIRECT & GEAR DRIVE
WITH ELECTRIC MOTOR

DRAWING NO. DS-E-1141A